

HEAT INPUT POWER

BTU/hr 16.000 - 51.000

TOTAL HEAT OUTPUT

BTU/hr 13.700 - 44.000

Ravelli®
il fuoco intelligente

ROMA

441 lb - 45 lb Pellet



Ideal to create a fireplace thanks to Ravelli zero clearance included kit

Porcelain Brown

Matt Black

- Efficiency (based on LHV) 85%
- Rounded cast iron front part
- Cast iron firepot
- Wide view of the flames
- Extractable ash pan
- Top exhaust tube
- Sliding structure for Easy Inspection



Ravelli®

il fuoco intelligente

HEAT INPUT POWER

BTU/hr 16.000 – 51.000

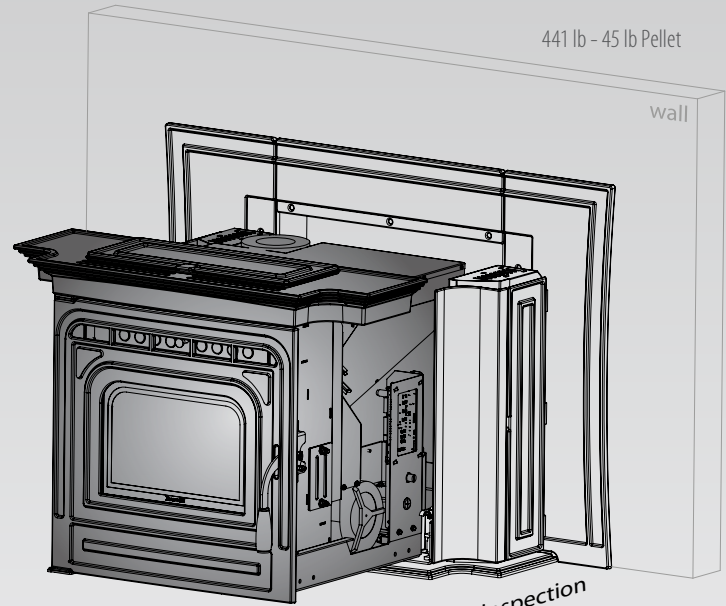
TOTAL HEAT OUTPUT

BTU/hr 13.700 – 44.000

ROMA

441 lb - 45 lb Pellet

FIREX
CLEAR
INOX
ECO START
TIMER
CAST IRON



Sliding structure for Easy Inspection



FIREX 600

All Ravelli's products have a combustion chamber made from FIREX 600, a vermiculite based material developed by Gruppo Ravelli after long and extensive research.



GLASS CLEANING SYSTEM

A supplementary air duct over the door creates an air cushion between the flame and the ceramic glass, to keep the door glass clean for many hours of burning.



ECO-START QUICK IGNITION SYSTEM

The Eco-Start ignition system ensures that the stove lights quickly and safely. By reducing the time for which the ignition element has to operate, the system dramatically extends its life.



TIMER-THERMOSTAT

A timer-thermostat lets you program in two ignition times and two finish times so that you can make optimal daily and weekly use of the stove.



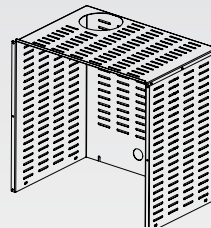
STAINLESS STEEL HEAT EXCHANGER

A stainless steel heat exchanger means increased fire resistance and reduced wear.



ASH PAN

A functional and easily accessible ash pan collects all the burned out ash.



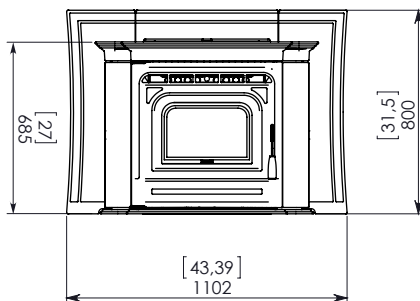
ZERO CLERANCE CABINET

HEAT INPUT	BTU/hr	16,000 – 51,000
HEAT OUTPUT	BTU/hr	13,700 – 44,000
FEED RATE	lb/hr	1.9 – 5.5
EFFICIENCY (based on LHV)	%	85
VENTING SIZE	Ø mm	80
HOPPER CAPACITY	lb	45
BURN TIME	hr	8 – 23
NET WEIGHT	lb	441

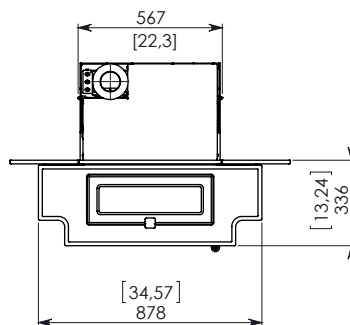
The manufacturer assumes no responsibility for any errors or inaccuracies in the content of this catalog and reserves the right to modify its products at any time and without prior notice, and make changes considered appropriate for either technical or commercial reasons.

www.ravelligroup.us

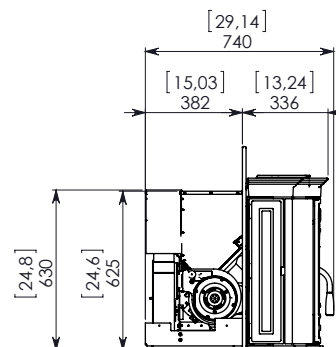
FRONT VIEW



TOP VIEW



SIDE VIEW



ZERO CLEARANCE SIDE VIEW

